

FLT-06 TABLE LIFT SET

HOW TO ORDER

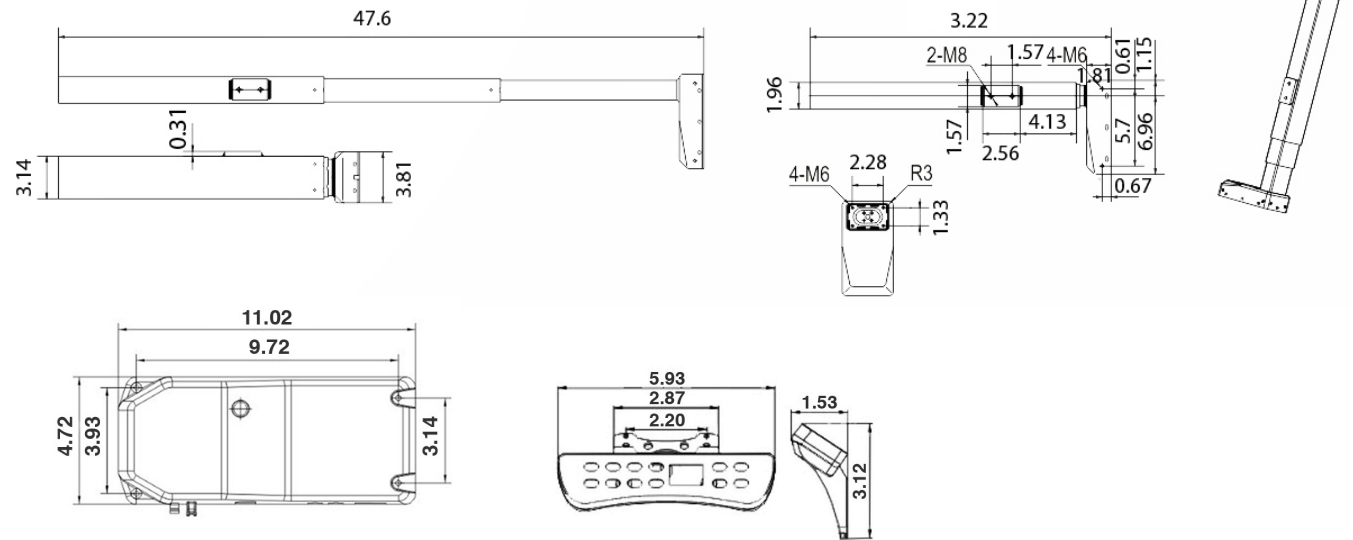
1.800.676.6123

sales@progressiveautomations.com

www.progressiveautomations.com



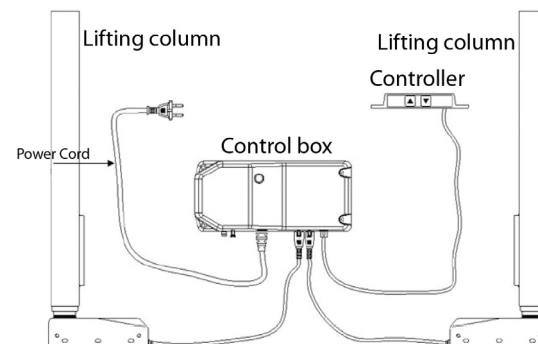
dimensions in inches



specifications

- Voltage: 110 V
- Output power: 24 VDC
- Force: 175 lbs per leg (175 lbs x 2)
- Self-Lock Force: 175 lbs per leg (175 lbs x 2)
- Speed: 1.4 inches/s
- Stroke: 25.5 inches
- Install size: 22 inches
- Type of duty: 10%
- Protection Class: IP42
- Ambient Temperature: -5 C to +40 C
- Relative Humidity: 20%~75%
- Limit switch: integrated in control box
- Tube material: steel

set up plan



custom options

- Color: black
- Customized stroke

what this set includes

- 1 Hand Controller
- 1 Control Box
- 1 Power Cord
- 2 Lifting Columns