

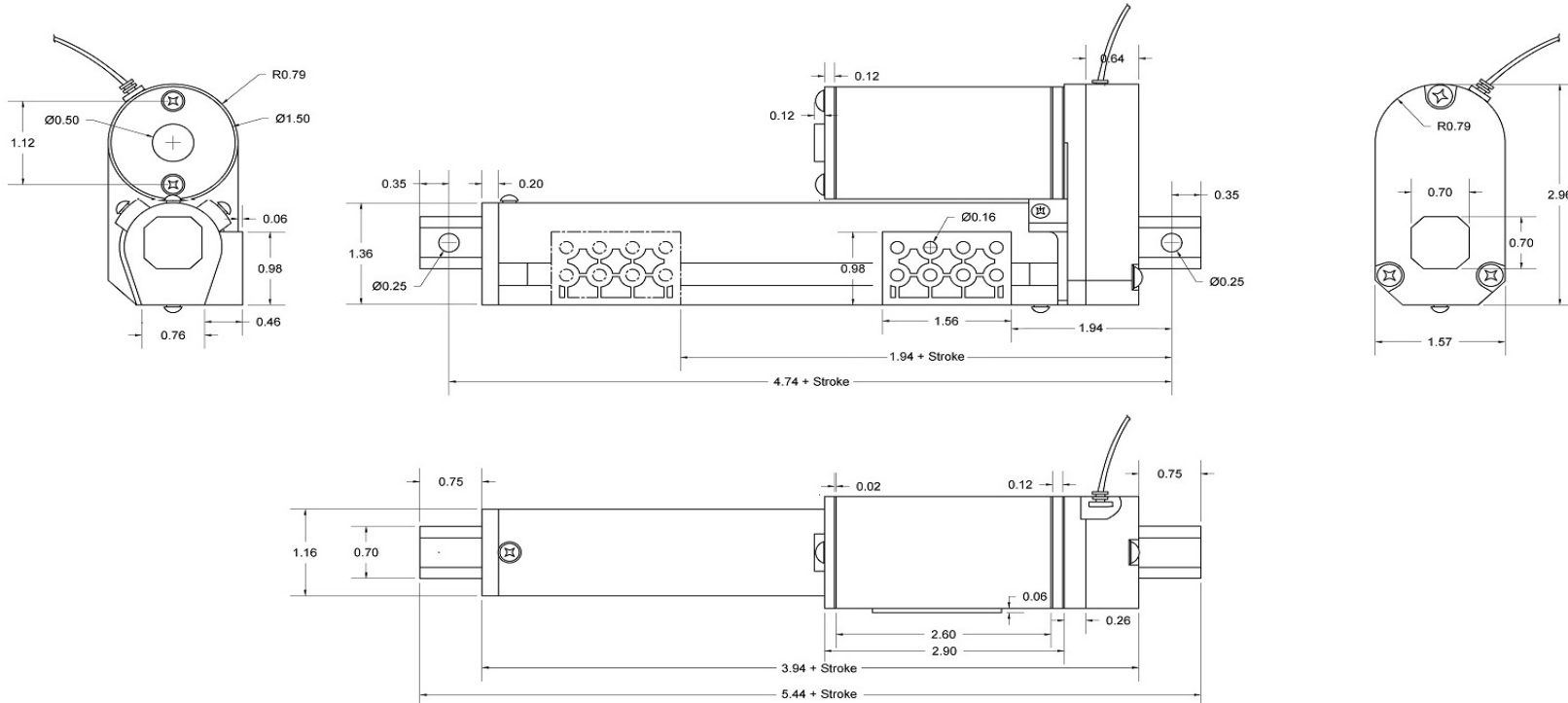


**SPECIFICATIONS**

- Input Voltage: 12VDC
- Current: 5A at full load
- Load Capacity: 50lbs
- Mounting Holes: 0.25" Diameter
- Static load: 2 x Force
- Stroke Length: 2" to 30"
- Screw: ACME Screw
- Duty Cycle: 25%
- Operational Temperature: -20°C~+65°C
- Limit Switch: Built-in, Non-Adjustable
- IP Grade: IP20
- Low Noise: db<60(A)
- Certifications: CE and RoHS
- Housing: 6062 Aluminum Alloy
- Powder Metal Gears
- Gear Ratio: 50 lbs - 20:1
- Wire Length: 40"

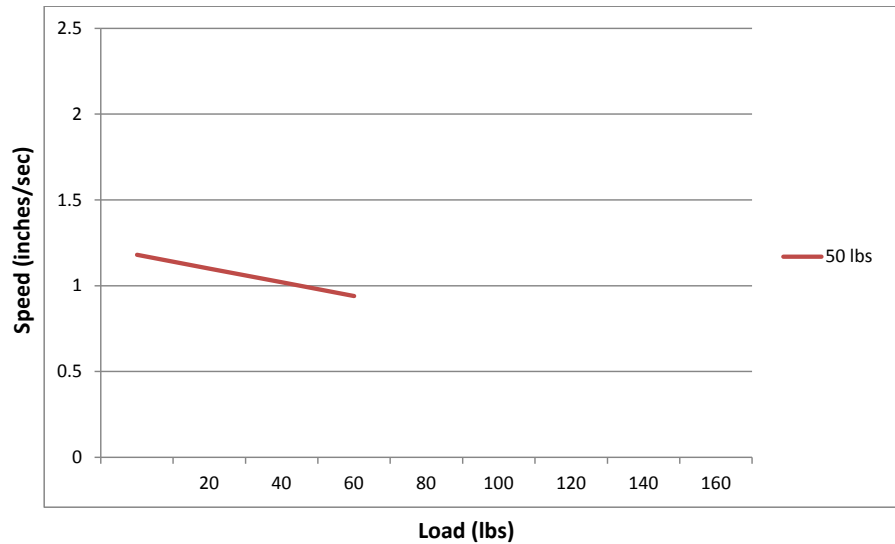
**For Custom Options See Page 5**

**DIMENSIONS IN INCHES**





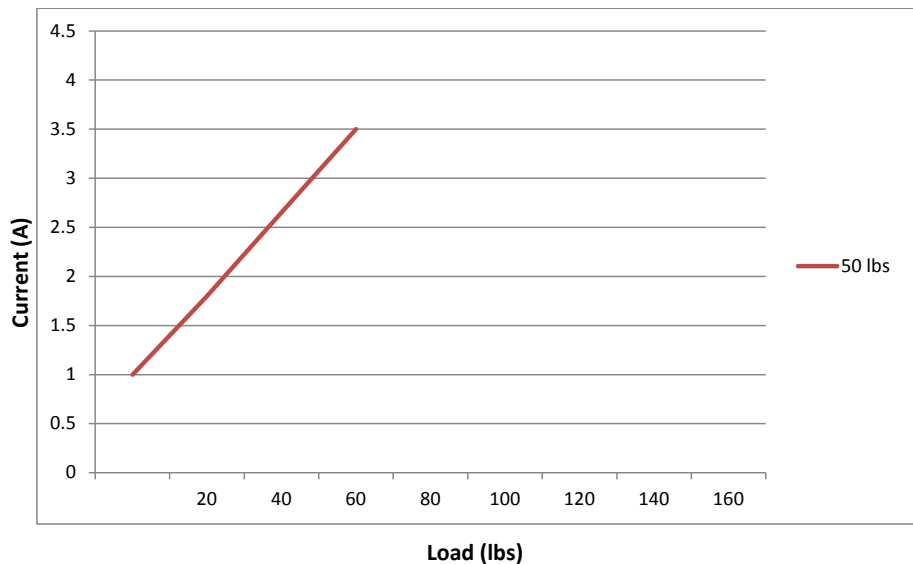
**12 VDC SPEED VS LOAD**



**HOLE TO HOLE DIMENSIONS**

Stroke Size (in Inches)	Retracted	Extended
0	4.74	4.74
1	5.74	5.74
2	6.74	6.74
3	7.74	7.74
4	8.74	8.74
5	9.74	9.74
6	10.74	10.74
7	11.74	11.74
8	12.74	12.74
9	13.74	13.74
10	14.74	14.74
11	15.74	15.74
12	16.74	16.74
13	17.74	17.74
14	18.74	18.74
15	19.74	19.74
16	20.74	20.74
17	21.74	21.74
18	22.74	22.74
19	23.74	23.74
20	24.74	24.74
21	25.74	25.74
22	26.74	26.74
23	27.74	27.74
24	28.74	28.74
25	29.74	29.74
26	30.74	30.74
27	31.74	31.74
28	32.74	32.74
29	33.74	33.74
30	34.74	34.74

**12 VDC CURRENT VS LOAD**



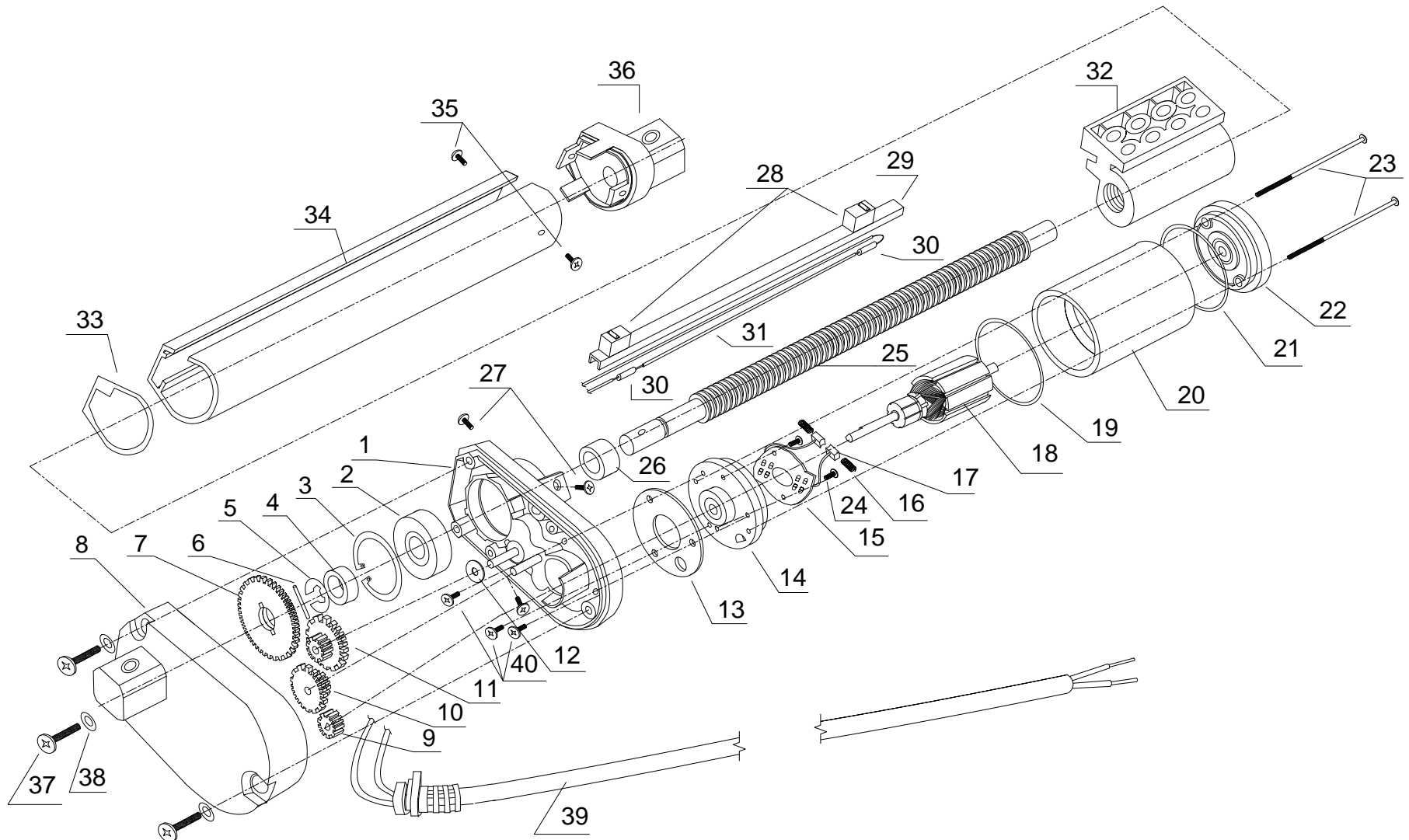
**PRODUCT ACCESSORIES**

- Will work with any PA's AC & DC controls boxes
- Mounting Brackets: BRK-14 (for each end); BRK-08 for stroke
- Rocker Switches: any PA's Rocker Switches
- Foot Controls: PDL-01, PDL-02 and PDL-03

**SPEED IN INCHES PER SECOND**

Forces (lbs)	No Load	Full Load
50	1.18	0.94

**ACTUATOR INTERNALS**





**ACTUATOR ASSEMBLY EXPANDED VIEW PARTS DESCRIPTION**

Item	Description	Qty
1	Actuator base	1
2	Shaft Bearing	1
3	Shaft Bearing Lock Ring	1
4	Shaft Base Spacer	1
5	Shaft Base Spacer Snap Ring	1
6	Shaft Gear Wheel Holder	1
7	Shaft Gear Wheel	1
8	Base Cover with Mounting Support	1
9	Motor Gear Wheel	1
10	Small Intermediate Gear Wheel	1
11	Medium Intermediate Gear Wheel	1
12	Teflon Washer	1
13	Electric Motor Base Washer	1
14	Electric Motor Base With Bearing	1
15	Brush Holder PCB	1
16	Electric Motor Brush Spring	2
17	Electric Motor Brush	2
18	Electric Motor Rotor	1
19	Motor Enclosure Bottom Gasket	1
20	Electric Motor Encloser with Stator	1

Item	Description	Qty
21	Electric Motor Top Gasket	1
22	Electric Motor Cap with Rotor Bearing	1
23	Motor Enclosure Screw	2
24	Brush Holder PCB Screw	2
25	Treaded Shaft Drive / Lead Screw	1
26	Shaft Spacer	1
27	Shaft Enclosure Base Screw	3
28	Limit Switch	2
29	Limit Switches Base	1
30	Diode	2
31	Limit Switches Wiring	1
32	Shaft	1
33	Shaft Encloser Bottom Gasket	1
34	Shaft Encloser	1
35	Shaft Eclosure Cap Screw	2
36	Shaft Eclosure Cap with Mounting Hole	1
37	Base Cover Screw	3
38	Base Cover Screw Washer	3
39	Power Cable	1
40	Electric Motor Base Screw	3

**CUSTOM OPTIONS**

- Voltage: 24/36/48
- Feedback: Potentiometer
- Wire length: Customizable
- Stroke Size: 1" – 40" in increments of 0.25"
- Brushless Motor: 100% duty cycle (not available with Hall Effect Sensor)
- Mounting Holes: Customizable size and Dimensions
- Connectors: Add your specific connector
- Custom Dimensions: Change size and stroke of unit based on your requirement
- Gearing: Full Metal gears
- Customizable forces: 110 lbs (no load speed 0.79"/sec, full load 0.59"/sec); 75 lbs (no load speed 0.95"/sec, full load 0.70"/sec)

**ADDITIONAL OPTIONS ARE ALWAYS BEING ADDED, PLEASE GIVE US A CALL IF YOU NEED A CUSTOM OPTION YOU DO NOT SEE HERE 1.800.676.6123.**

**3D MODEL (CLICK TO ACTIVATE)**

