

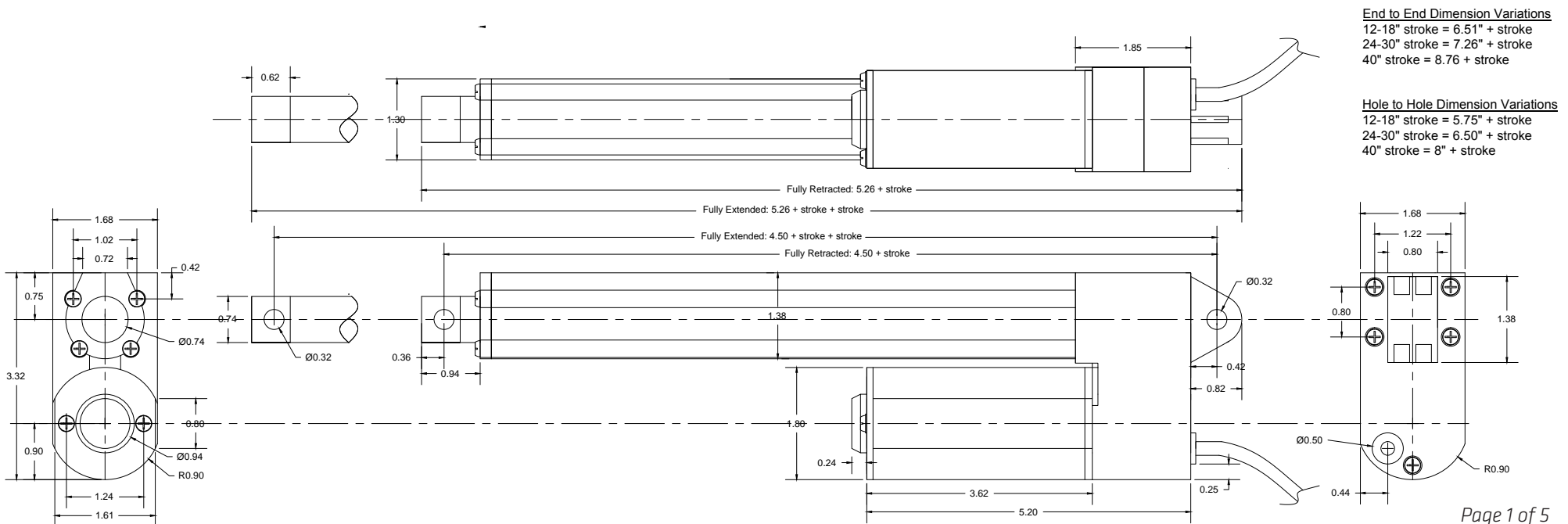


**SPECIFICATIONS**

- Input Voltage 12VDC
- Current: 4A at full load
- Load Capacity: 330 lbs
- Mounting Holes: 0.25" Diameter
- Static load: 600 lbs
- Stroke Length: 1" to 40"
- Screw: ACME Screw
- Duty Cycle: 25%
- Operational Temperature: -25°C~+65°C
- Limit Switch: Built-in Non-Adjustable
- IP Grade: IP65
- Low Noise: db<45(A)
- Certifications: CE
- Housing: Aluminum Alloy
- Gears: Powder Metal Gears
- Wire Length: 40"

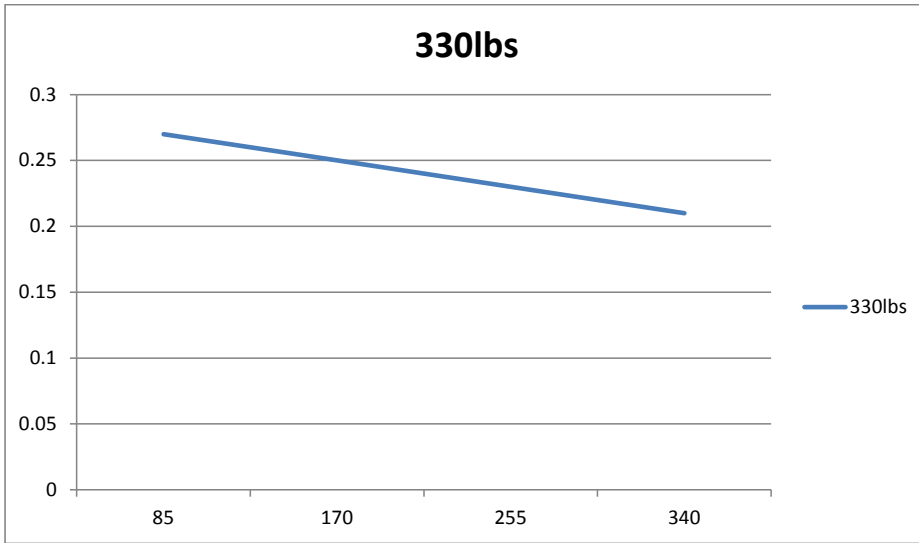
**For Custom Options See Page 5**

**DIMENSIONS IN INCHES**





**SPEED VS LOAD**

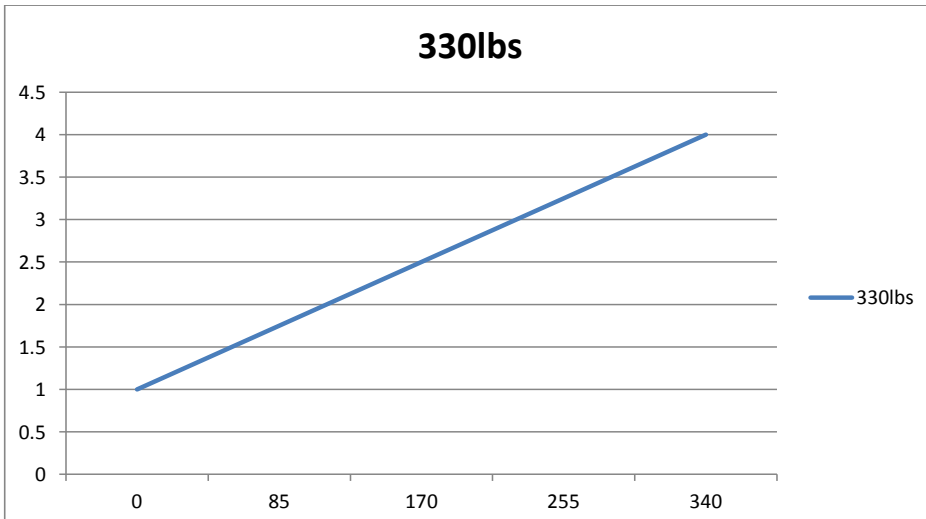


**HOLE TO HOLE DIMENSIONS**

*PA-09 HOLE TO HOLE DIMENSION (in inches)*

Stroke Sizes	Fully Retracted	Fully Extended
0	4.50	4.50
1	5.50	6.50
2	6.50	8.50
3	7.50	10.50
4	8.50	12.50
6	10.50	16.50
8	12.50	20.50
9	13.50	22.50
10	14.50	24.50
12	17.75	29.75
14	19.75	33.75
16	21.75	37.75
18	23.75	41.75
20	25.75	45.75
22	27.75	49.75
24	30.50	54.50
30	36.50	66.50
40	48	88

**CURRENT VS LOAD**



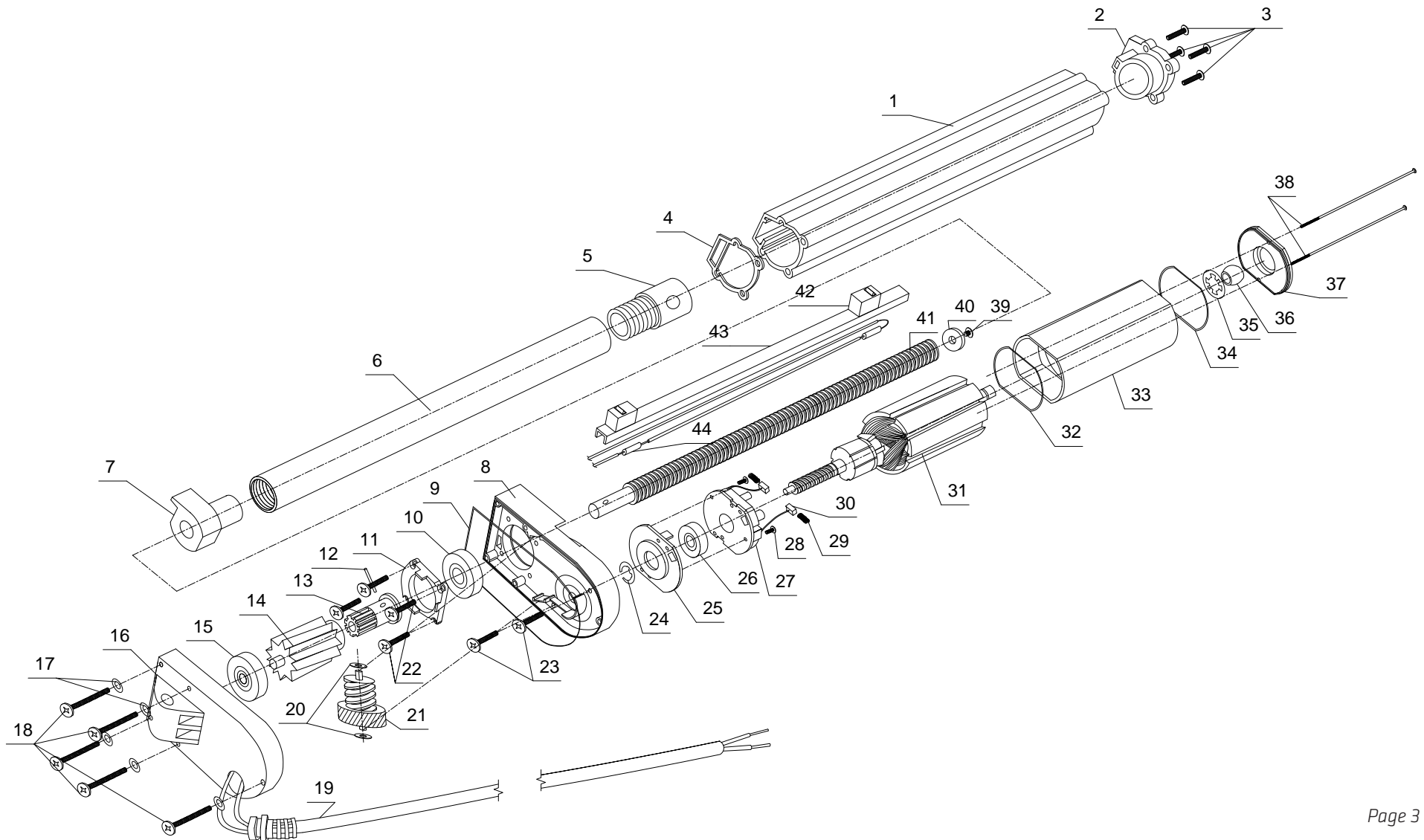
**PRODUCT ACCESSORIES**

- Will work with any PA's AC & DC controls boxes
- Mounting Brackets: BRK-14 (for each end);
- Rocker Switches: any PA's Rocker Switches
- Foot Controls: PDL-01, PDL-02 and PDL-03

**SPEED IN INCHES PER SECOND**

Forces (lbs)	No Load	Full Load
330	0.27	0.21

**ACTUATOR INTERNALS**





**ACTUATOR ASSEMBLY EXPANDED VIEW PARTS DESCRIPTION**

Item	Description	Qty
1	Shaft Encloser	1
2	Shaft Enclosure Top Cap	1
3	Top Cap Screw	4
4	Shaft Encloser Bottom Gasket	1
5	Shaft Top with Mounting Hole	1
6	Shaft	1
7	Shaft Base with Limit Switches Arm	1
8	Actuator Base	1
9	Actuator Base Gasket	1
10	Shaft Bearing	1
11	Shaft Bearing Holder	1
12	Shaft Gear Cap Pin	1
13	Shaft Gear Cap	1
14	Shaft Gear	1
15	Bottom Shaft Bearing	1
16	Base Cover with Mounting Hole	1
17	Base Cover Screw Gasket	5
18	Base Cover Screw	5
19	Power Cable	1
20	Gear Washer	2
21	Gear	1
22	Shaft Bearing Holder Screw	4

Item	Description	Qty
23	Motor Base Screw	2
24	Electric Motor Snap Ring	1
25	Electric Motor Base	1
26	Electric Motor Bearing	1
27	Brush Holder PCB	1
28	Brush Holder Screw	2
29	Electric Motor Brush Spring	2
30	Electric Motor Brush	2
31	Electric Motor Rotor	1
32	Motor Enclosure Bottom Gasket	1
33	Electric Motor Encloser with Stator	1
34	Motor Enclosure Top Gasket	1
35	Electric Motor Top Bearing Holder	1
36	Electric Motor Top Bearing	1
37	Electric Motor Top Cap	1
38	Motor Enclosure Screw	2
39	Shaft Drive End Support Screw	1
40	Shaft Drive End Support	1
41	Treaded Shaft Drive / Lead Screw	1
42	Limit Switch	2
43	Limit Switches Base	1
44	Diode	2



**CUSTOM OPTIONS**

- Voltage: 24/36/48
- Feedback: Potentiometer (will increase overall length) or Hall effect sensor
- Wire length: Customizable
- Stroke Size: 1" – 40" in increments of 0.25"
- Brushless Motor: 100% duty cycle (not available with Hall Effect Sensor)
- Mounting Holes: Customizable size and Dimensions
- Connectors: Add your specific connector
- Custom Dimensions: Change size and stroke of unit based on your requirement

Customizable Forces:

Motor Speed	Forces (lbs)	No Load (inches per sec)	Full Load (inches per sec)
4000rpm	450	0.20	0.15
	350	0.27	0.22
	250	0.39	0.31
	150	0.70	0.55
	50	1.50	1.20
6000rpm	350	0.31	0.24
	150	0.40	0.31
	130	0.55	0.43
	90	1.10	0.87
	40	2.30	1.80

**ADDITIONAL OPTIONS ARE ALWAYS BEING ADDED, PLEASE  
 GIVE US A CALL IF YOU NEED A CUSTOM OPTION YOU DO NOT  
 SEE HERE 1.800.676.6123.**